

170 kHz Air transducer



Model: A170W2

P/N: H2KA170KW2CD00



A170W2 ultrasonic transducer works as a signal transmitting and receiving unit. This ultrasonic transducer is suitable for web guiding, double feed detection, banknote fitness, and proximity measurement, etc. Particularly, the transducer can transmit relatively uniform sound intensity, which results in good proportional band as wide as 28 mm (± 14 mm).

Features

- Uniform sound intensity
- Wide proportional band
- Patented design

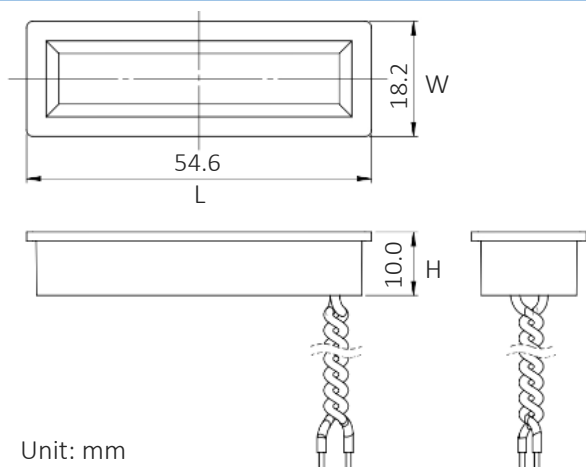
Major Applications

- Edge position control
- Double feed detection
- Banknote fitness checking
- Proximity measurement

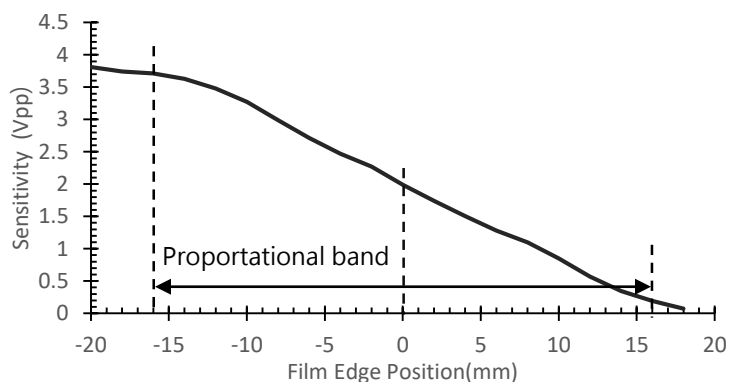
Specifications

Operation Frequency	170 kHz
Capacitance (@ 1 kHz, 1Vrms)	3200 pF
Directivity (Full Angle @-6 dB)	L 5 Degree W 25
Typical Driving Voltage (2% Duty Cycle Tone Burst)	≤ 50 V _{p-p}
Proportional Band (Working Range)	> 28 mm
Dimensions (WxLxH)	18.2x54.6x10.0 mm
Housing Material	Plastic

Dimensions & Proportional Band Plot



Unit: mm



The proportional band of A170W2 is as wide as 28 mm, which is robust for wide film edge position detection.