

100 kHz Air transducer



Model: A100C1

P/N: H2KA100KC1CD00



A100C1 works as a signal transmitting and receiving unit. This ultrasonic transducer is suitable for non-contact level detection and proximity measurement. In particular, the transducer with the PVDF housing can operate under harsh chemical environment to measure the level of fluids, pastes, and coarse bulk materials.

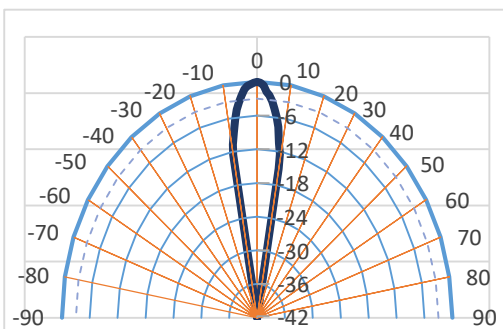
Features

- High performance
- High reliability
- PVDF housing
- FDA compliance
- Chemical resistance
- Waterproof IP68
- Patented technologies

Major Applications

- Level detection
- Proximity measurement

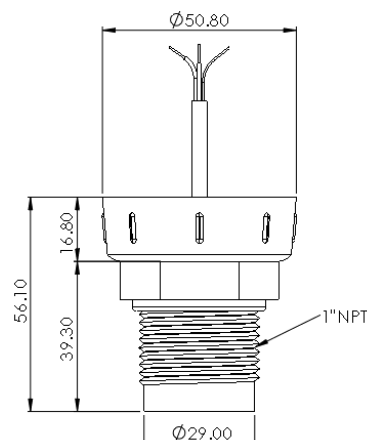
Directivity Diagram



Specifications

Operation Frequency	100 kHz
Capacitance (@ 1 kHz, 1Vrms)	3400 pF
Directivity (Full Angle @-3 dB)	10 degree
Maximum Driving Voltage (2% Duty Cycle Tone Burst)	800 V _{p-p}
Maximum Sensing Range	400 cm
Blind Zone	< 20 cm
Dimension-OD	29.0 mm
Dimension-Height	56.1 mm
Housing Material	PVDF

Dimensions



Unit: mm
Housing Material: PVDF

