

125 kHz Air transducer



Model: A125F1

P/N: H2KA125KF1CD00



A125F1 works as a signal transmitting and receiving unit. This ultrasonic transducer is particularly suitable for non-contact level detection and proximity measurement with high resolution as well as exceptional reliability.

Features

- High performance
- High reliability
- PVDF housing
- Waterproof IP68
- Patented technologies

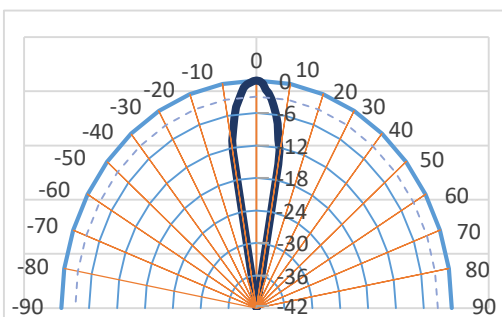
Major Applications

- Level detection
- Proximity measurement
- Obstacle avoidance

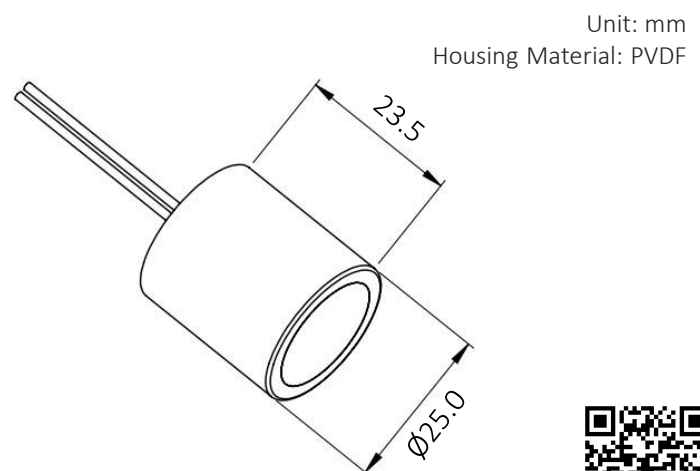
Specifications

Operation Frequency	125 kHz
Capacitance (@ 1 kHz, 1Vrms)	1000 pF
Directivity (Full Angle @-3 dB)	10 Degree
Maximum Driving Voltage (2% Duty Cycle Tone Burst)	800 V _{p-p}
Maximum Sensing Range	300 cm
Blind Zone	< 15 cm
Dimension-OD	25.0 mm
Dimension-Height	23.5 mm

Directivity Diagram



Dimensions



As Unictron continues to improve its products, all specifications are subject to change without notice. All specifications are typically measured at 25 ± 3 ° C, 45 to 60% RH.