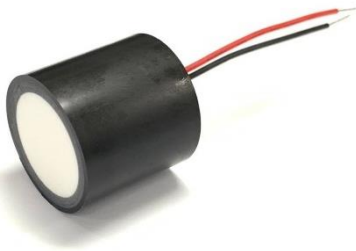


Model: A100F1

P/N: H2KA100KF1CD00



**A100F1** works as a signal transmitting and receiving unit. This ultrasonic transducer is particularly suitable for non-contact level detection and proximity measurement with high resolution as well as exceptional reliability.

## Specifications

Operation Frequency	100 kHz
Capacitance (@ 1 kHz, 1Vrms)	1600 pF
Directivity (Full Angle @-3 dB)	10 Degree
Maximum Driving Voltage ( 2% Duty Cycle Tone Burst )	800 V <sub>p-p</sub>
Maximum Sensing Range	400 cm
Blind Zone	< 20 cm
Dimension-OD	29.0 mm
Dimension-Height	28.5 mm

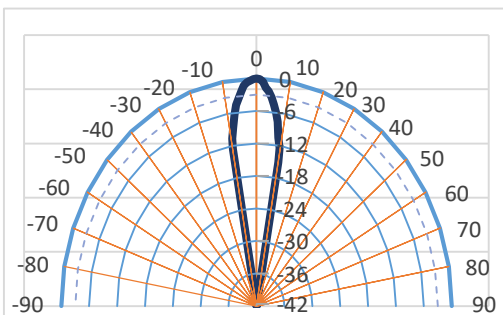
## Features

- High performance
- High reliability
- PVDF housing
- Waterproof IP68
- Patented technologies

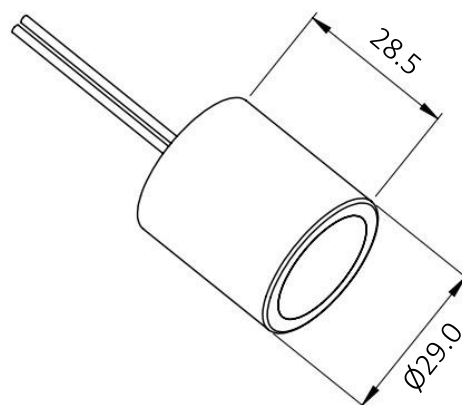
## Major Applications

- Level detection
- Proximity measurement
- Obstacle avoidance

## Directivity Diagram



## Dimensions



Unit: mm  
Housing Material: PVDF

