

500 kHz Air transducer



Model: A500B

P/N: H2KA500KB1CD00



A500B ultrasonic transducer is designed to deliver outstanding performance at around 500 kHz frequency using our in-house piezoceramic and acoustic matching layer along with state-of-art technologies. The transducer works as a signal transmitting and receiving unit. This ultrasonic transducer is suitable for gas flow detection and proximity measurement with high sensitivity, low noise, low ZFD (zero flow drift), high precision as well as exceptional reliability.

Features

- High performance
- High reliability
- Chemical resistance
- Patented technologies

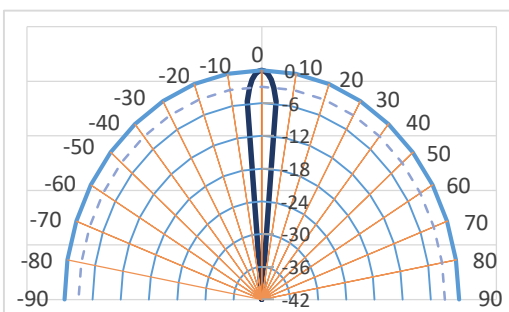
Major Applications

- Gas flow meter
- Gas concentration meter
- Proximity measurement

Specifications

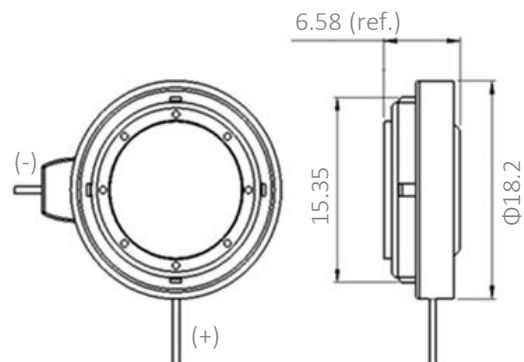
Operating Frequency	500 kHz
Capacitance (@ 1 kHz, 1Vrms)	320 pF
Directivity (Full Angle @-3 dB)	7 Degree
Maximum Driving Voltage (2% Duty Cycle Tone Burst)	20 V _{p-p}
Dimension-OD (Face)	18.2 mm
Dimension-Height	6.58 (ref.) mm
ZFD (zero flow drift)	< 1.0 ns
Operating temperature	-30°C to +60°C
Storage Temperature	-40°C to +85°C

Directivity Diagram



Dimensions

Housing material: Elastomer
Unit: mm



As Unictron continues to improve its products, all specifications are subject to change without notice. All specifications are typically measured at 25 ± 3 ° C, 45 to 60% RH.