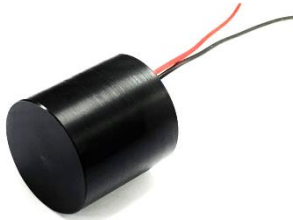


# 125 kHz Air transducer



Model: A125A

P/N: H2KA125KA1CD00



A125A works as a signal transmitting and receiving unit. This ultrasonic transducer is suitable for non-contact level detection and proximity measurement. In particular, the transducer with the PVDF housing can operate under harsh chemical environment to measure the level of fluids, pastes, and coarse bulk materials.

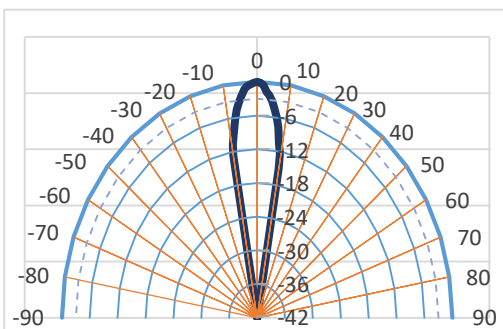
## Features

- High performance
- High reliability
- PVDF housing
- FDA compliance
- Chemical resistance
- Waterproof IP68
- Patented technologies

## Major Applications

- Level detection
- Proximity measurement

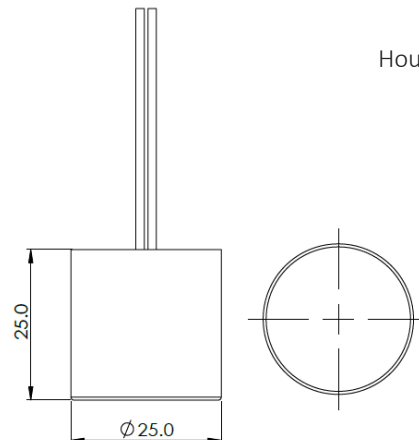
## Directivity Diagram



## Specifications

Operation Frequency	125 kHz
Capacitance (@ 1 kHz, 1Vrms)	1000 pF
Directivity (Full Angle @-3 dB)	10 Degree
Maximum Driving Voltage ( 2% Duty Cycle Tone Burst )	800 V <sub>p-p</sub>
Maximum Sensing Range	300 cm
Blind Zone	< 15 cm
Dimension-OD	25.0 mm
Dimension-Height	25.0 mm
Wire	UL1430 #24AWG $\phi$ 1.43mm

## Dimensions



Unit: mm  
Housing Material: PVDF

