

150 kHz Air transducer



Model: A150D

P/N: H2KA150KD1CD00



A150D ultrasonic transducer is designed to deliver outstanding performance at around 150 kHz frequency. The transducer works as a signal transmitting and receiving unit. This ultrasonic transducer is suitable for proximity measurement, web guiding control, non-contact level measurement and robotics, etc.

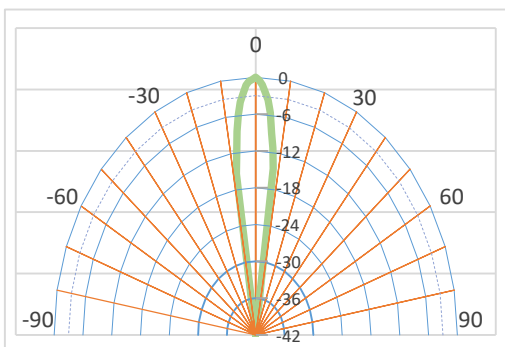
Features

- High performance
- High reliability
- Aluminum housing

Major Applications

- Edge position control
- Proximity measurement

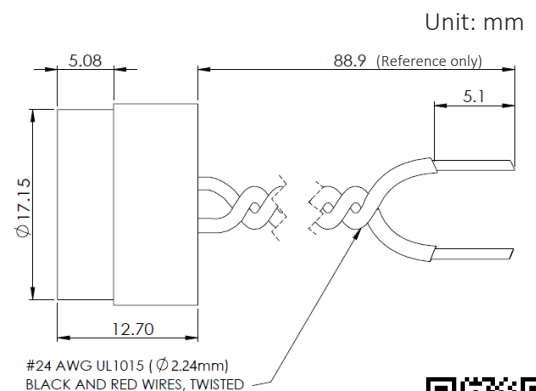
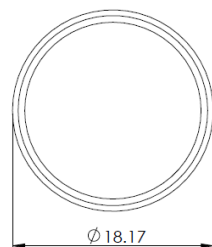
Directivity Diagram



Specifications

Operation Frequency	150 kHz
Capacitance (@ 1 kHz, 1Vrms)	1000 pF
Directivity (Full Angle @-3 dB)	8 Degree
Maximum Driving Voltage (2% Duty Cycle Tone Burst)	500 V _{p-p}
Maximum Sensing Range	250 cm
Blind Zone	< 15 cm
Dimension-OD (face)	17.15 mm
Dimension-Height	12.70 mm
Wire (UL1015 #24 AWG ϕ 2.24mm)	88.9 mm

Dimensions



Unit: mm



As Unictron continues to improve its products, all specifications are subject to change without notice. All specifications are typically measured at $25 \pm 3^\circ \text{C}$, 45 to 60% RH.