

## LOW CAPACITANCE TVS DIODE ARRAY

### APPLICATIONS

- ◆ Cell Phone Handsets and Accessories
- ◆ Microprocessor based equipment
- ◆ Personal Digital Assistants (PDA's)
- ◆ Notebooks, Desktops, and Servers
- ◆ Portable Instrumentation
- ◆ Peripherals
- ◆ USB Interface

### IEC COMPATIBILITY

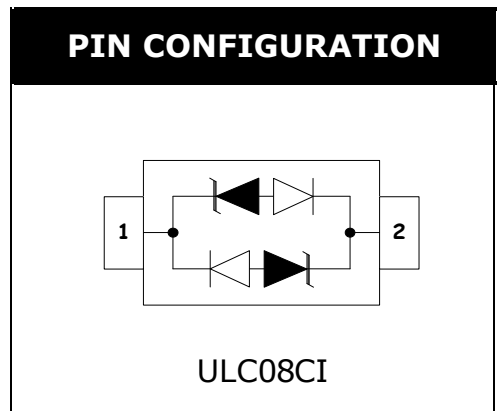
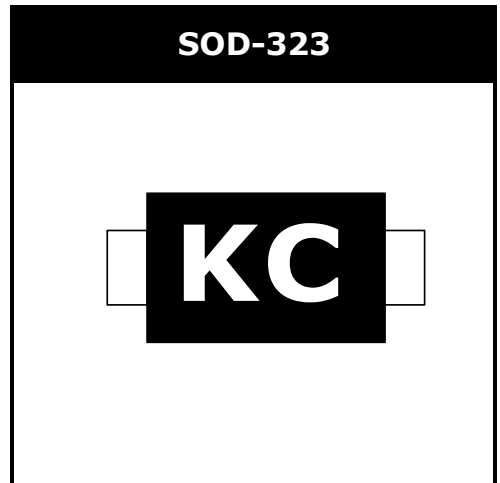
- ◆ IEC61000-4-2 (ESD)  $\pm 30\text{kV}$  (air),  $\pm 30\text{kV}$  (contact) :  
3.3 ~ 15V
- ◆ IEC61000-4-2 (ESD)  $\pm 25\text{kV}$  (air),  $\pm 15\text{kV}$  (contact) :  
18 ~ 36V
- ◆ IEC61000-4-4 (EFT) 40A (5/50ns)

### FEATURES

- ◆ 150 Watts Peak Pulse Power per Line ( $t_p=8/20\mu\text{s}$ )
- ◆ Protects one I/O line
- ◆ Low clamping voltage
- ◆ Working voltages : 36V
- ◆ Low leakage current

### MECHANICAL CHARACTERISTICS

- ◆ SOD-323 Package
- ◆ Molding Compound Flammability Rating : UL 94V-0
- ◆ Weight 5 Milligrams (Approximate)
- ◆ Quantity Per Reel : 3,000pcs
- ◆ Reel Size : 7 inch
- ◆ Lead Finish : Lead Free

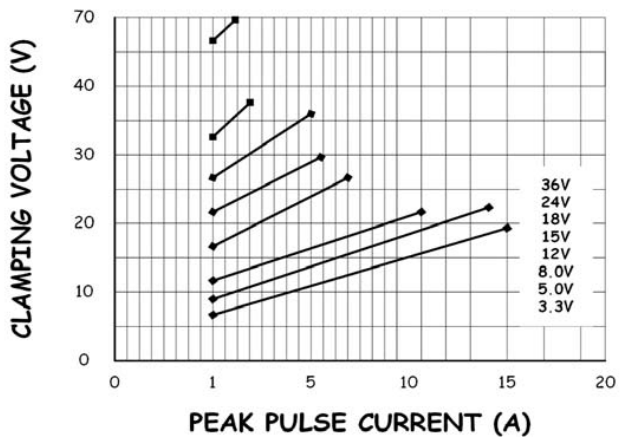
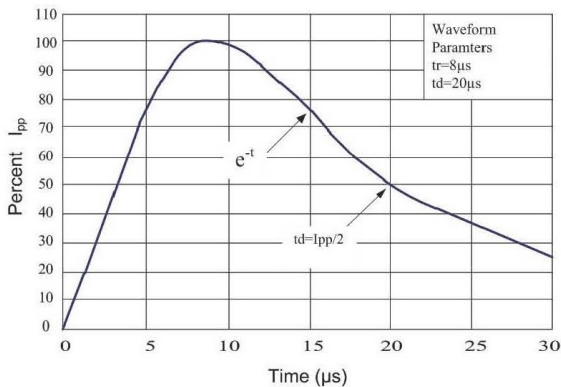


# ULC36CI

## DEVICE CHARACTERISTICS

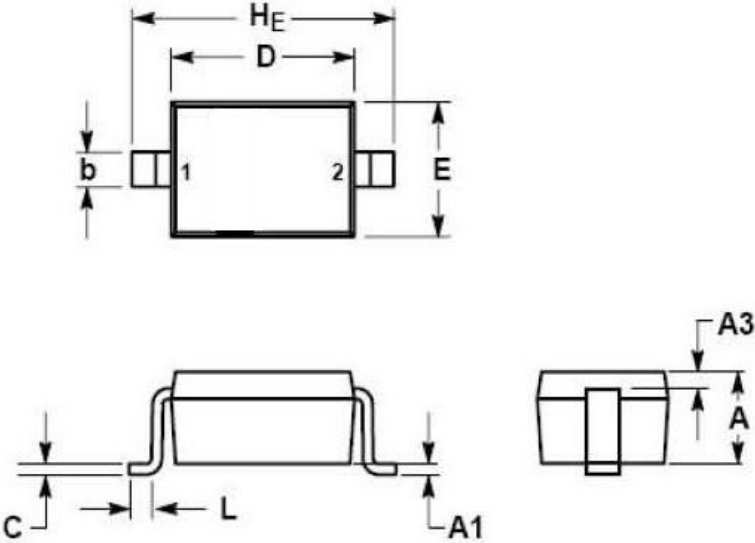
MAXIMUM RATINGS (@ 25°C Unless Otherwise Specified)			
PARAMETER	SYMBOL	VALUE	UNITS
Peak Pulse Power (tp=8/20µs waveform)	P <sub>PP</sub>	150	Watts
Lead Soldering Temperature	T <sub>L</sub>	260 (10 sec.)	°C
Operating Temperature Range	T <sub>J</sub>	-55 ~ 150	°C
Storage Temperature Range	T <sub>STG</sub>	-55 ~ 150	°C

ELECTRICAL CHARACTERISTICS PER LINE (@ 25°C Unless Otherwise Specified)									
PART NUMBER	DEVICE MARKING	V <sub>RWM</sub>	V <sub>B</sub>	I <sub>T</sub>	V <sub>C</sub>	V <sub>C</sub>		I <sub>R</sub>	C <sub>T</sub>
		(V) (max.)	@I <sub>T</sub> =1mA (V) (min.)		@1A (max.)	(max.)	(@A)	(µA) (max.)	@V <sub>R</sub> =0V f=1MHz (pF) (typ.)
ULC36CI	KC	36	40	1	60	75	2	1	1



# ULC36CI

## SOD-323 PACKAGE OUTLINE & DIMENSIONS



DIM	MILLIMETERS			INCHES		
	MIN	NOM	MAX	MIN	NOM	MAX
A	0.80	0.90	1.00	0.031	0.035	0.040
A1	0.00	0.05	0.10	0.000	0.002	0.004
A3	0.15 REF			0.006 REF		
b	0.25	0.32	0.4	0.010	0.012	0.016
C	0.089	0.12	0.177	0.003	0.005	0.007
D	1.60	1.70	1.80	0.062	0.066	0.070
E	1.15	1.25	1.35	0.045	0.049	0.053
L	0.08			0.003		
HE	2.30	2.50	2.70	0.090	0.098	0.105

### \* SOLDERING FOOTPRINT

