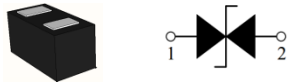


**PE0603MS24 Single-Channel ESD Protection Device in 0603 Package**
**1 Feature**

- Ultra-low capacitance:0.05pF(Typ.)
- Low leakage current(<10nA)
- Fast response time(<1ns)
- IEC61000-4-2(Contact) : 8KV  
IEC61000-4-2(Air) : 15KV
- Bi-directional, single line protection

**3 Application**

- Smart phone/Mobile internet device
- Laptop/Desktop computer
- Antennas (Cell Phones, GPS...)
- USB 3.0, USB 3.1 and high speed interface

**5 Pin Description**

**2 Description**

PE0603MS24 polymeric ESD suppressor help protect sensitive electronic equipment against electrostatic discharge (ESD) without distorting data signals. This protection is a result of its ultra-low capacitance of only 0.05 pF (I/O to GND), and it can be used to help equipment to pass IEC61000-4-2 level 4 test (15KV air, 8KV contact discharge).

**4 Device Information**

Model	Package	Size
PE0603MS24	0603-2	1.60 mm × 0.80 mm × 0.30 mm

**6 General Characteristics**

Parameter	Value	Unit
Contact Discharge Voltage Per IEC61000-4-2	8	KV
Air Discharge Voltage Per IEC61000-4-2	15	KV
Operating Temperature	-55 to +125	°C
Storage Temperature	-55 to +125	°C

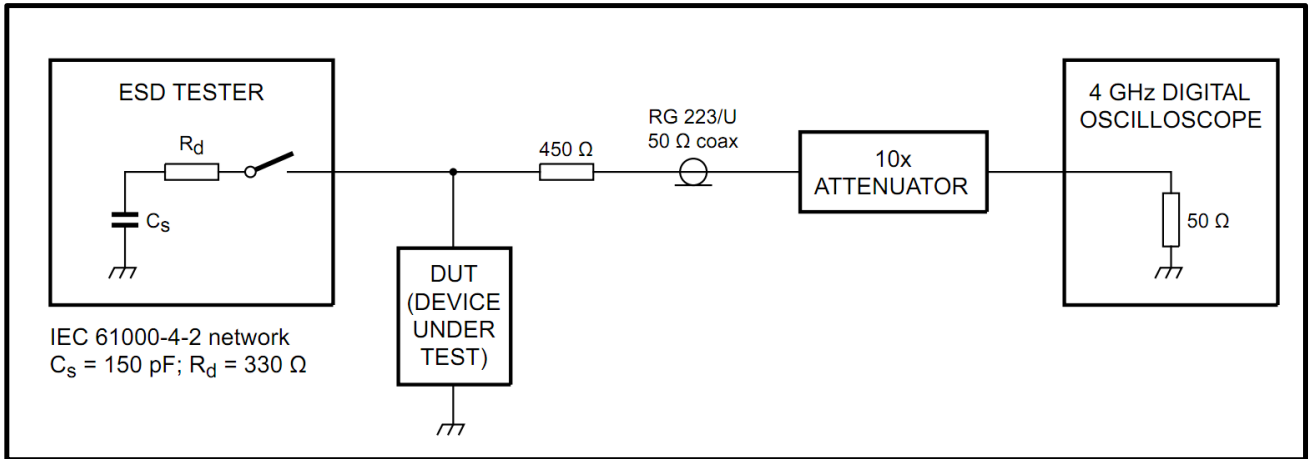
**7 Electrical Characteristics (T<sub>A</sub> =25°C)**

Parameter	Symbol	Conditions	Min.	Typ.	Max.	Units
Continuous Operating Voltage	V <sub>DC</sub>	---	---	---	24	V
Trigger Voltage	V <sub>T</sub>	IEC61000-4-2 8KV contact discharge	---	450	---	V
Clamping Voltage	V <sub>C</sub>	IEC61000-4-2 8KV contact discharge	---	40	---	V
Leakage Current	I <sub>L</sub>	DC 24V shall be applied on component	---	---	10	nA
Capacitance	C <sub>P</sub>	Measured at 10MHz	---	0.05	---	pF
ESD Pulse Withstand	Pulses	IEC61000-4-2 8KV contact discharge	1000	---	---	---

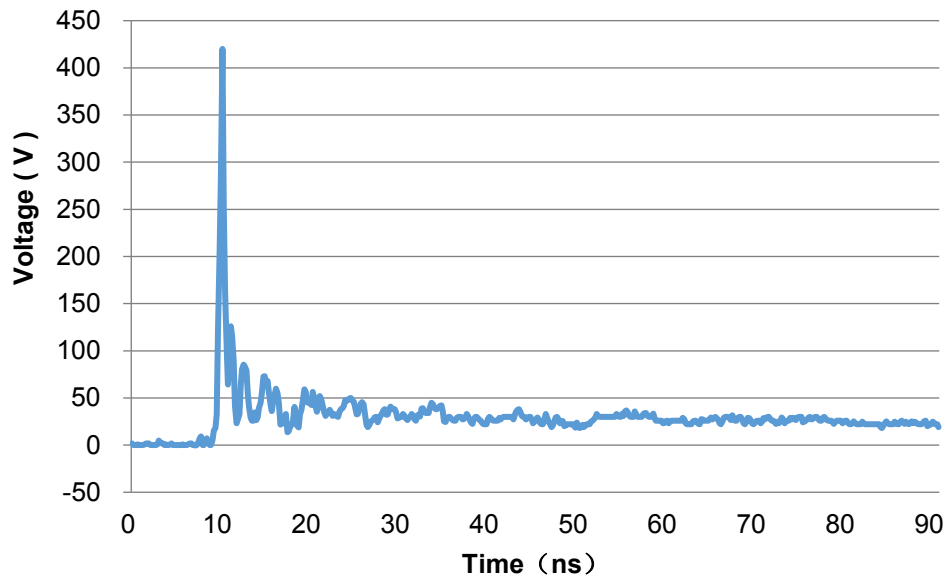
Notes: Trigger and clamping voltage are measured per IEC 61000-4-2, 8KV contact discharge method.

PE0603MS24 Application Note

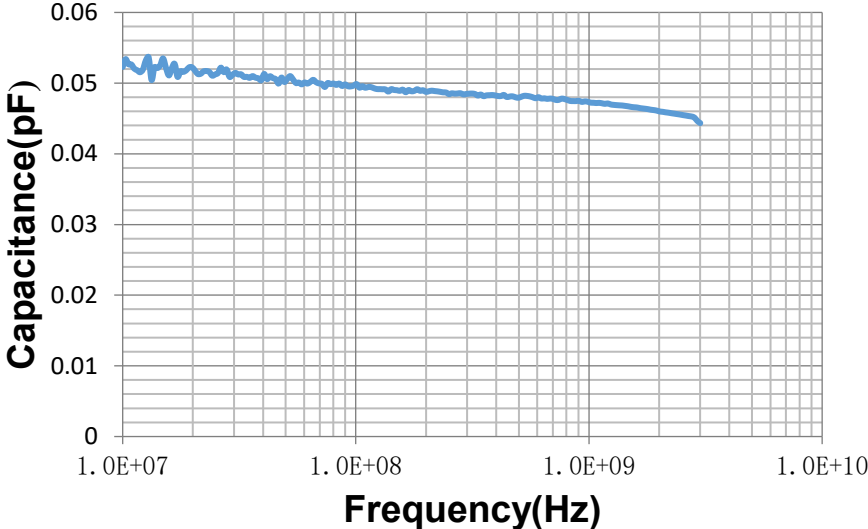
8 Typical ESD Response (IEC 61000-4-2, 8KV contact discharge)



9 Typical ESD Response (IEC 61000-4-2, 8KV contact discharge)

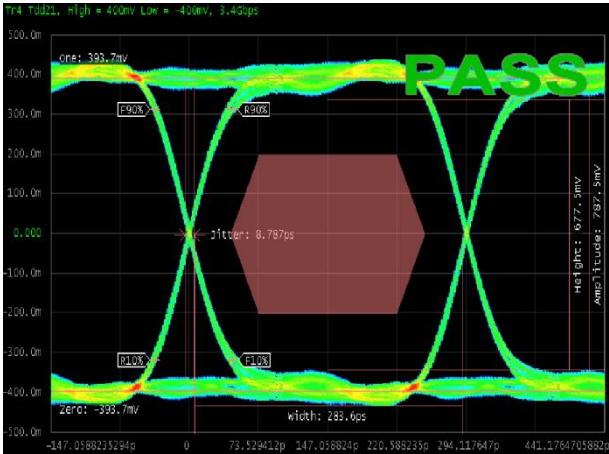


10 Typical Device Capacitance VS. Frequency

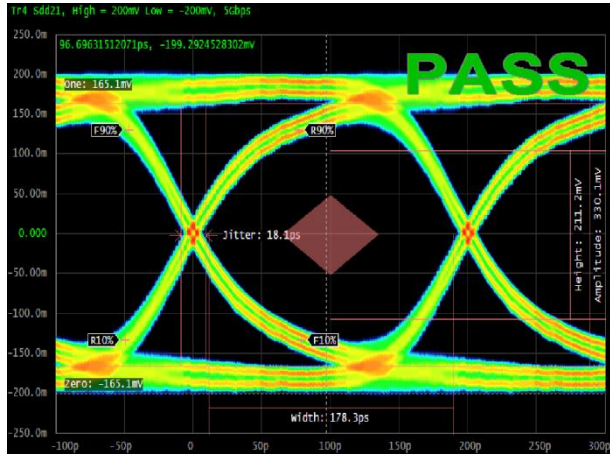


11 Eye Diagram Measurement

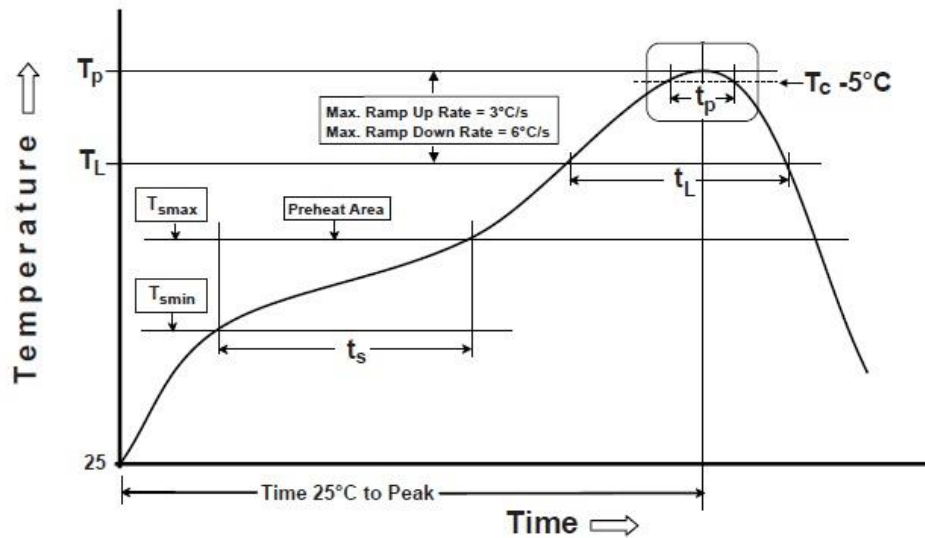
HDMI Mask at 3.4 Gbps



USB3.0 Mask at 5.0 Gbps



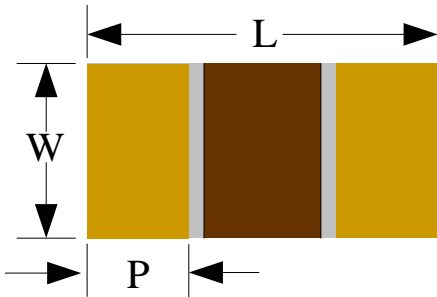
## 12 Soldering Parameters



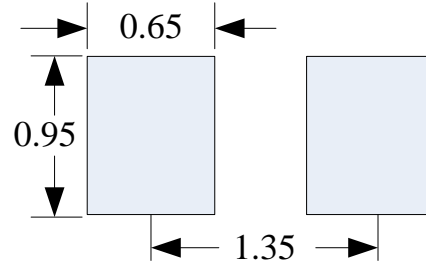
Profile Feature	Pb-Free Assembly
Pre Heat	
Temperature Min ( $T_{smin}$ )	$150^\circ\text{C}$
Temperature Max ( $T_{smax}$ )	$200^\circ\text{C}$
Time ( $t_s$ ) from ( $T_{smin}$ to $T_{smax}$ )	60-120 seconds
Ramp-up Rate ( $T_L$ to $T_p$ )	$3^\circ\text{C/second max.}$
Liquidus temperature ( $T_L$ )	$217^\circ\text{C}$
Time ( $t_L$ ) maintained above $T_L$	60-150 seconds
Peak package body temperature ( $T_p$ )	$260^{+0/-5}^\circ\text{C}$
Time ( $t_p$ )* within $5^\circ\text{C}$ of the specified classification temperature ( $T_c$ )	30* seconds
Ramp-down Rate ( $T_p$ to $T_L$ )	$6^\circ\text{C/second max.}$
Time $25^\circ\text{C}$ to peak temperature	8 minutes max.
* Tolerance for peak profile temperature ( $T_p$ ) is defined as a supplier minimum and a user maximum.	

0603-2 Package

13 Package Dimension



Recommended Solder Pad Footprint



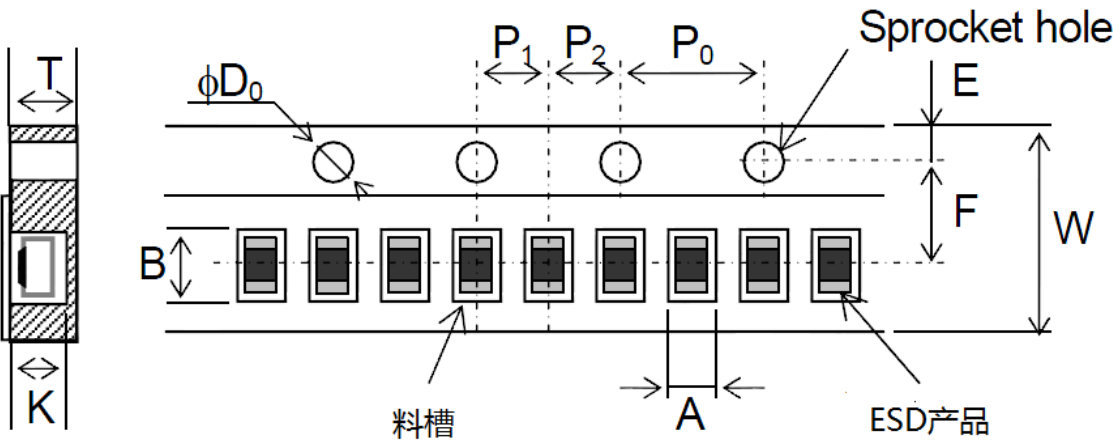
**\*Sizes in mm**

Notes:

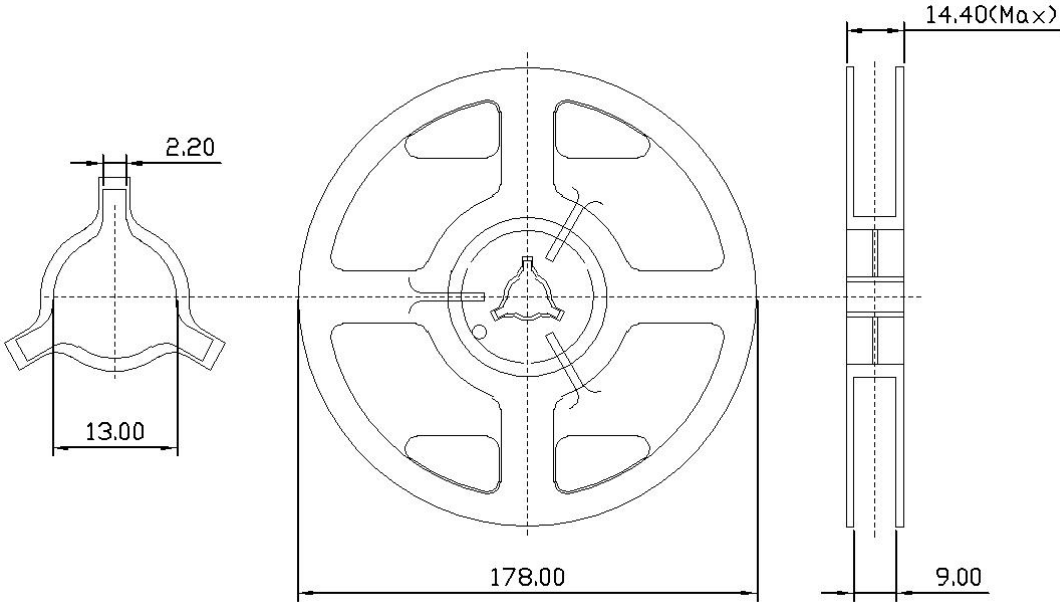
This solder pad layout is for reference purposes only.

Dimension	Unit: Millimeters		
	Min.	Typ.	Max.
L	1.45	1.60	1.75
W	0.70	0.83	0.95
P	0.20	0.35	0.50
H	0.26	0.36	0.46

14 Taping Specification



Tape Dimension	A	B	W	F	E	P <sub>1</sub>	P <sub>2</sub>	P <sub>0</sub>	φD <sub>0</sub>	K	T
		1.00±0.03	1.9±0.03	8.00±0.10	3.50±0.05	1.75±0.10	2.00±0.05	2.00±0.05	4.00±0.10	1.55±0.05	0.43±0.03



**15 Ordering & Contact Information**

Device	Package	Net Weight	Carrier	Quantity
PE0603MS24	0603-2L	0.12 mg	Tape & Reel	5,000pcs/reel