

Surge arrester

3-Electrode arrester

JN3RxxxAL1 series

Features	Applications
<ul style="list-style-type: none"> ● Extremely small size ● Extremely fast response time ● Excellent SMD handling ● Stable performance over life ● Very low capacitance ● High insulation resistance ● Storage and operating temperature -40...+90°C ● RoHS-compatible ● UL No:E199538 	<ul style="list-style-type: none"> ● Splitter ● PCI Cards ● Morden ● Line cards

Electrical specifications

Part Number	DC Breakdown Voltage	Max. Impulse Breakdown Voltage	Discharge Current (8/20us)	Holdover Voltage	Minimum Insulation Resistance		Max. Capacitance 1MHz
	100V/S	1KV/us	10 times		V	Test Voltage DC(V)	
	V	V	KA	V			(pF)

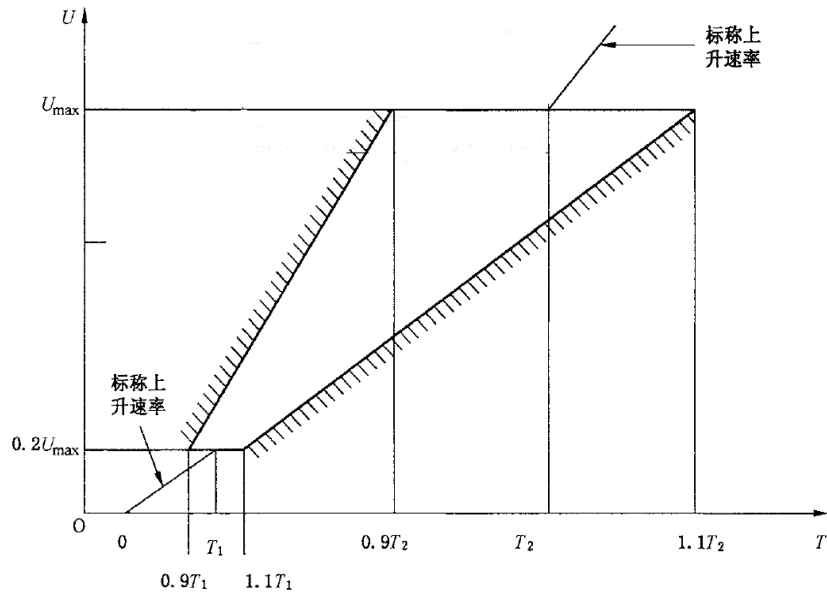
JN3R75AL1	75±20%	600	10	/	50	1	1.5
JN3R90AL1	90±20%	600	10	/	50	1	1.5
JN3R150AL1	150±20%	700	10	80	100	1	1
JN3R230AL1	230±20%	800	10	135	100	1	1
JN3R350AL1	350±20%	800	10	135	100	1	1
JN3R420AL1	420±20%	900	10	135	100	1	1
JN3R470AL1	470±20%	900	10	135	100	1	1
JN3R600AL1	600±20%	1000	10	135	100	1	1

Part Number Code

JN **3R** **xxx** **AL1**
(1) **(2)** **(3)** **(4)**

- (1) JN: Brand Name;
- (2) 3R: 3 Elements.
- (3) xxx: DC breakdown Voltage; e.g., 090=90V
- (4) AL1: Ø6x8

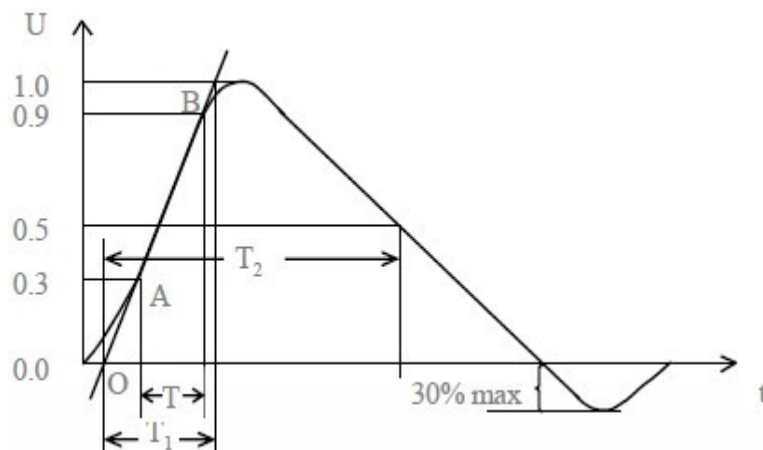
DC breakdown voltage



8/20us, Test wave
T1=1.25T=8us±20%
T2=20us±20%

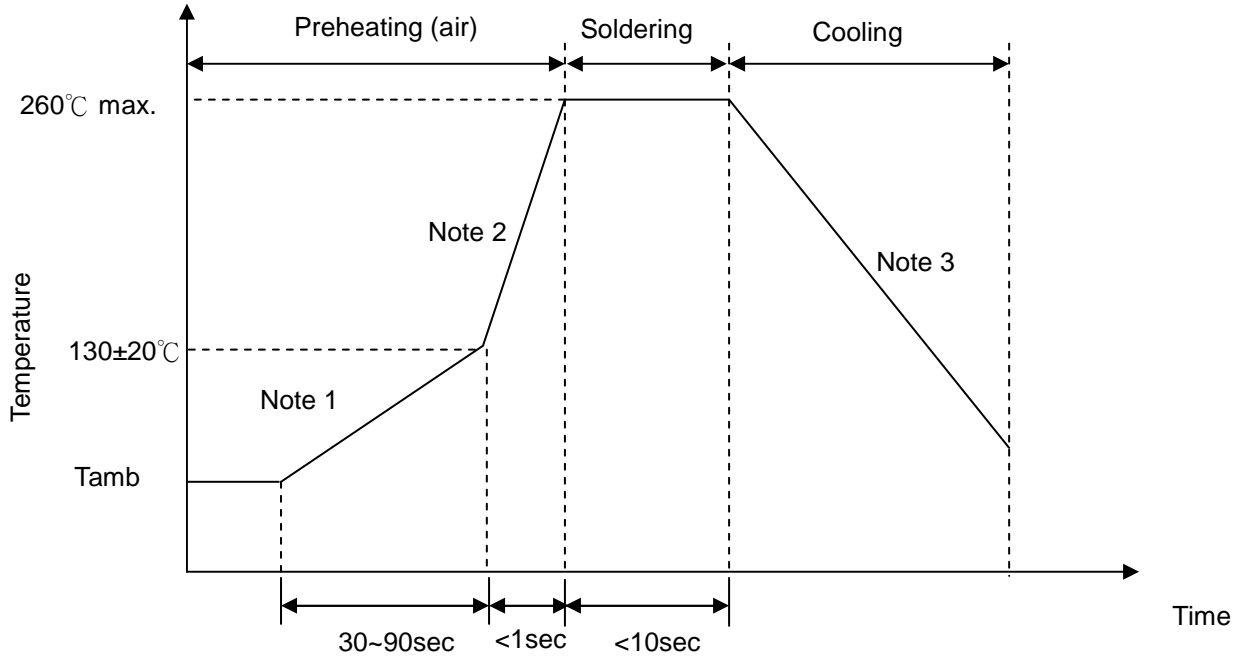
10/700us, Test Wave
T1=1.67T=10us±20%
T2=700us±20%

10/1000us, Test Wave
T1=1.67T=10us±20%
T2=1000us±20%



■ Soldering Recommendation

● Wave Soldering Profile



Note 1: (1~3)°C/sec

Note 2: Approx. 200°C/sec

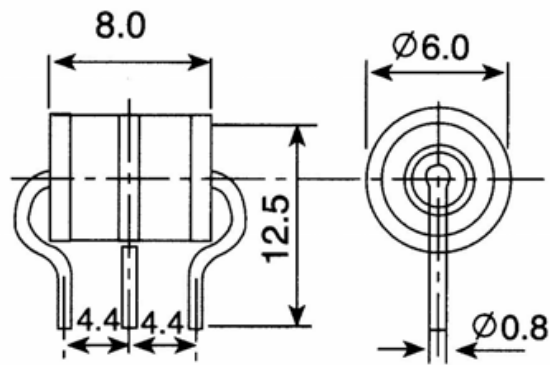
Note 3: 5°C/sec Max

● Recommended Reworking Conditions with Soldering Iron

Item	Conditions
Temperature of Soldering Iron-tip	360°C (max.)
Soldering Time	3 sec (max.)
Distance from coating	2 mm (min.)

Dimensions

UNIT : mm



3R-AL₁ Type ($\Phi 6 \times 8$)