

Surge arrester

2-Electrode arrester

JN2RxxxA2L series

Features	Applications
<ul style="list-style-type: none"> ● Extremely small size ● Extremely fast response time ● Excellent SMD handling ● Stable performance over life ● Very low capacitance ● High insulation resistance ● Storage and operating temperature -40...+90°C ● RoHS-compatible ● UL No:E199538 	<ul style="list-style-type: none"> ● Splitter ● PCI Cards ● Morden ● Line cards

Electrical specifications

Part Number	DC Breakdown Voltage	Max. Impulse Breakdown Voltage	Discharge Current (8/20us)	Holdover Voltage	Minimum Insulation Resistance		Max. Capacitance 1MHz
	100V/S	1KV/us	10 times		Test Voltage DC(V)	(GΩ)	(pF)
	V	V	KA	V			

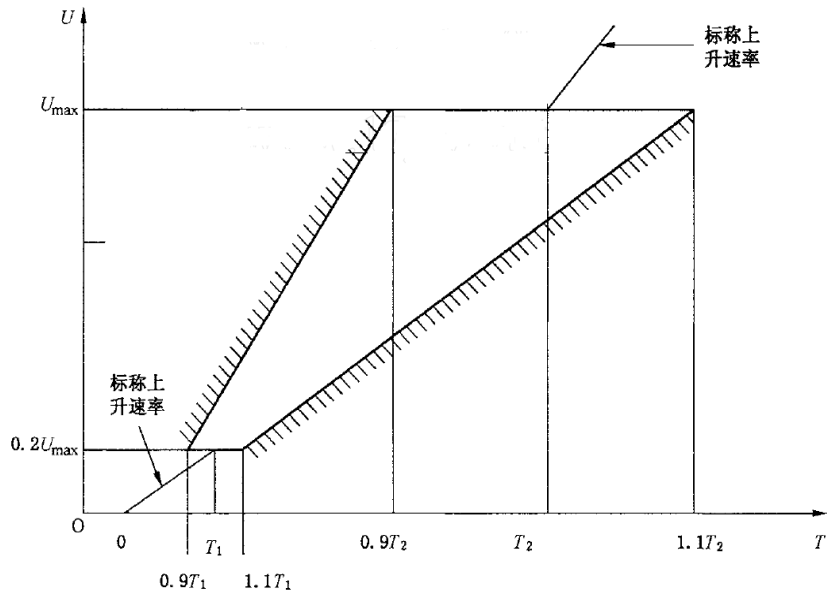
JN2R75A2L	75±20%	600	5	/	50	1	1.5
JN2R90A2L	90±20%	600	5	/	50	1	1.5
JN2R150A2L	150±20%	700	5	80	100	1	1
JN2R230A2L	230±20%	800	5	135	100	1	1
JN2R350A2L	350±20%	800	5	135	100	1	1
JN2R470A2L	470±20%	900	5	135	100	1	1
JN2R600A2L	600±20%	1300	5	135	100	1	1

Part Number Code

JN **2R** **xxx** **A2L**
 (1) (2) (3) (4)

- (1) JN: Brand Name;
- (2) 2R: 2 Elements.
- (3) xxx: DC breakdown Voltage; e.g., 090=90V
- (4) A2L: Ø5.5x6

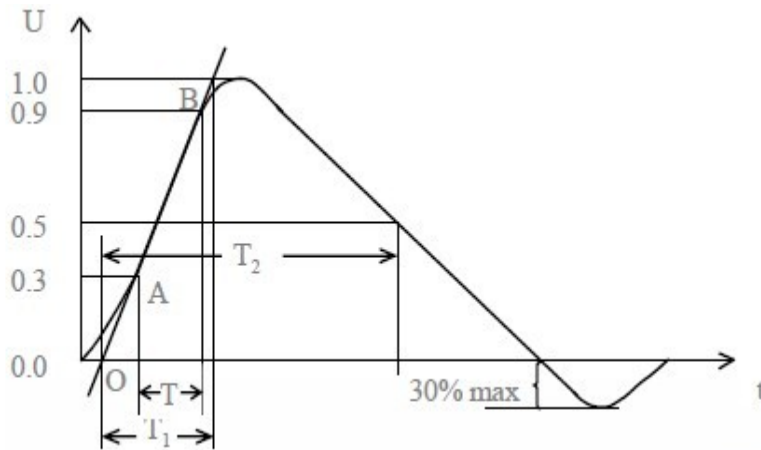
DC breakdown voltage



8/20us, Test wave
T1=1.25T=8us±20%
T2=20us±20%

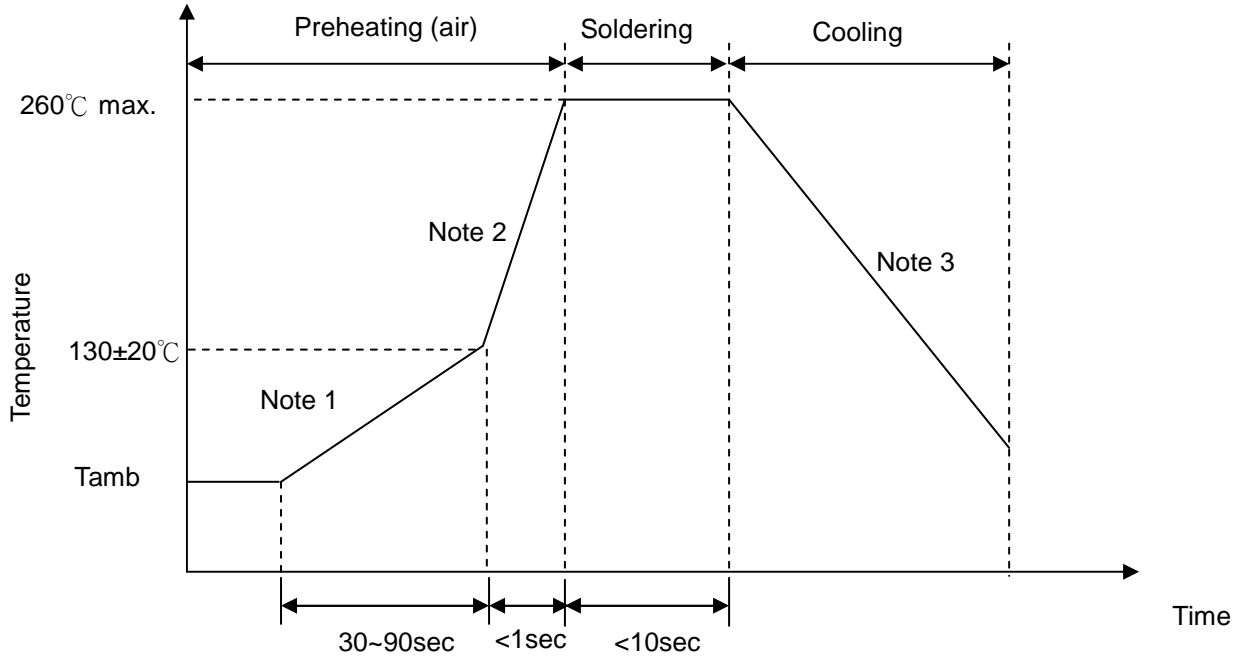
10/700us, Test Wave
T1=1.67T=10us±20%
T2=700us±20%

10/1000us, Test Wave
T1=1.67T=10us±20%
T2=1000us±20%



■ Soldering Recommendation

● Wave Soldering Profile



Note 1: (1~3)°C/sec

Note 2: Approx. 200°C/sec

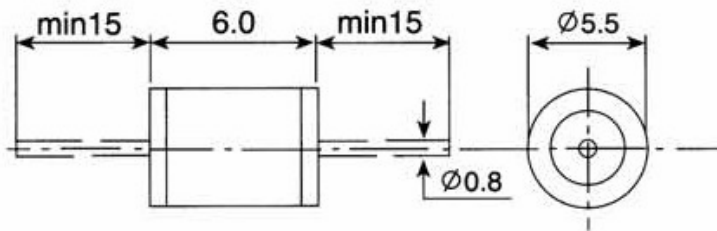
Note 3: 5°C/sec Max

● Recommended Reworking Conditions with Soldering Iron

Item	Conditions
Temperature of Soldering Iron-tip	360°C (max.)
Soldering Time	3 sec (max.)
Distance from coating	2 mm (min.)

Dimensions

UNIT : mm



2R-A₂L Type (Φ 5.5×6)